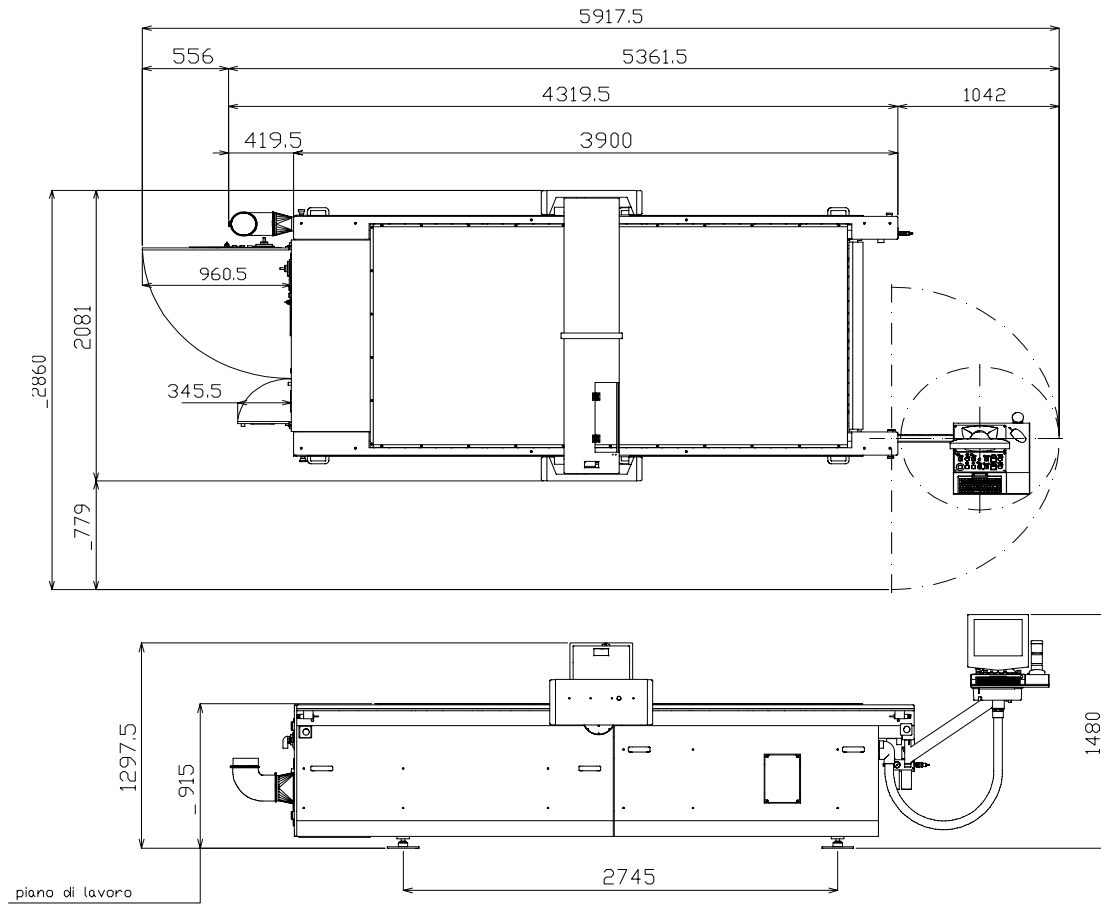
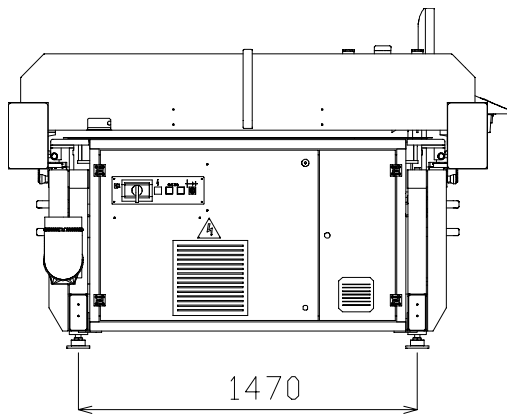




ATOM FLASH CUT 30155



MODEL	Projector number	Camera number	Working areas	Pump numbers	Optional feeder
30155 (PNEU)	-	-	1 or 2	1 - (2)	AL03PR

Useful working area	3050 x 1550 mm
Max cutting speed	50 m/min
Acceleration	1 g
Head tool number	5
Perforating frequency	3,2 sec
Number of suction sectors	50

Vacuum pump absorption range	3 – 19 kW
Vacuum pressure adjustable up to	- 200 mbar
Pneumatic circuit	7 bar – 100 l/min
Pneumatic circuit (PNEU)	9 bar – 400 l/min
Weight	1700 Kg
Absorption for power circuit	19 Kw – (38 Kw 2p)